

Care must be taken when installing this accessory to ensure damage does not occur to the vehicle. The installation of this accessory should follow approved guidelines to ensure a quality installation.

These guidelines can be found in the "Accessory Installation Practices" document.

This document covers such items as:-

- Vehicle Protection (use of covers and blankets, cleaning chemicals, etc.).
- Safety (eye protection, rechecking torque procedure, etc.).
- Vehicle Disassembly/Reassembly (panel removal, part storage, etc.).
- Electrical Component Disassembly/Reassembly (battery disconnection, connector removal, etc.).

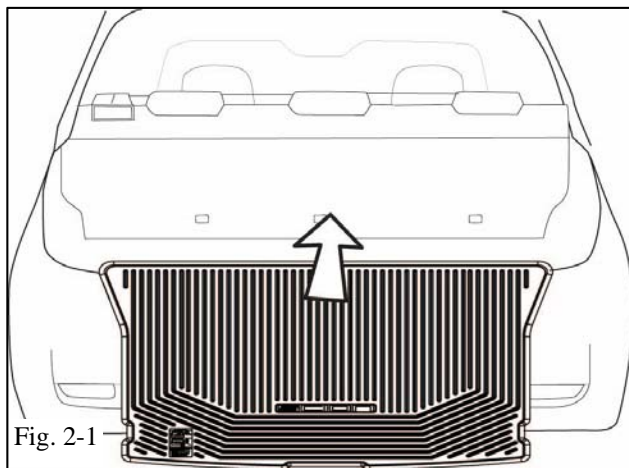
Please see your Scion dealer for a copy of this document.

1. Prepare for the Installation.

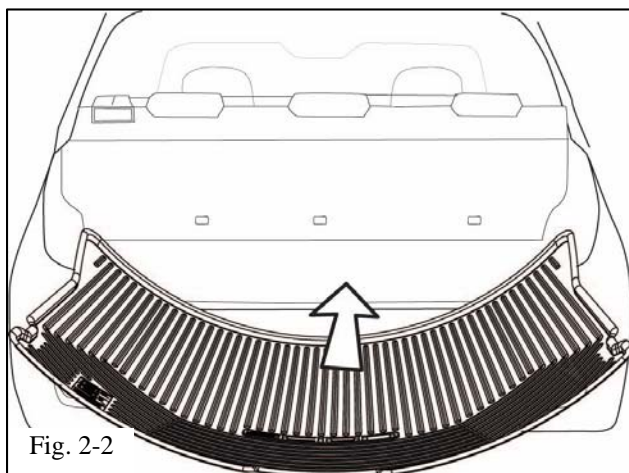
- (a) Open the package and check the part for damage and kit contents.
- (b) Remove any debris from rear cargo area.
- (c) Place vehicle protection over the rear bumper.

2. Install the Cargo Tray.

- (a) Place the Cargo Tray in the cargo area with the logo towards the rear of the vehicle and facing up (Fig 2-1).



- (b) Grasp the tray by the rear (widest end) and fold in the sides sufficiently to slide it into the rear compartment (Fig 2-2).
- (c) After installing the tray, ensure all of the edges are pushed down against the floor.



3. Complete the Installation.

- (a) Remove the vehicle protection.
- (b) Close the hatch door.

Checklist - these points **MUST** be checked to ensure a quality installation.

Check: _____

Look For: _____

Accessory Function Checks

Correct part number has been installed.

Verify part number on package.

Vehicle Function Checks

Vehicle Appearance Check

After accessory installation and removal of protective cover(s), perform a visual inspection.

Ensure no damage (including scuffs and scratches) was caused during the installation process.
(For PPO installations, refer to TMS Accessory Quality Shipping Standard.)